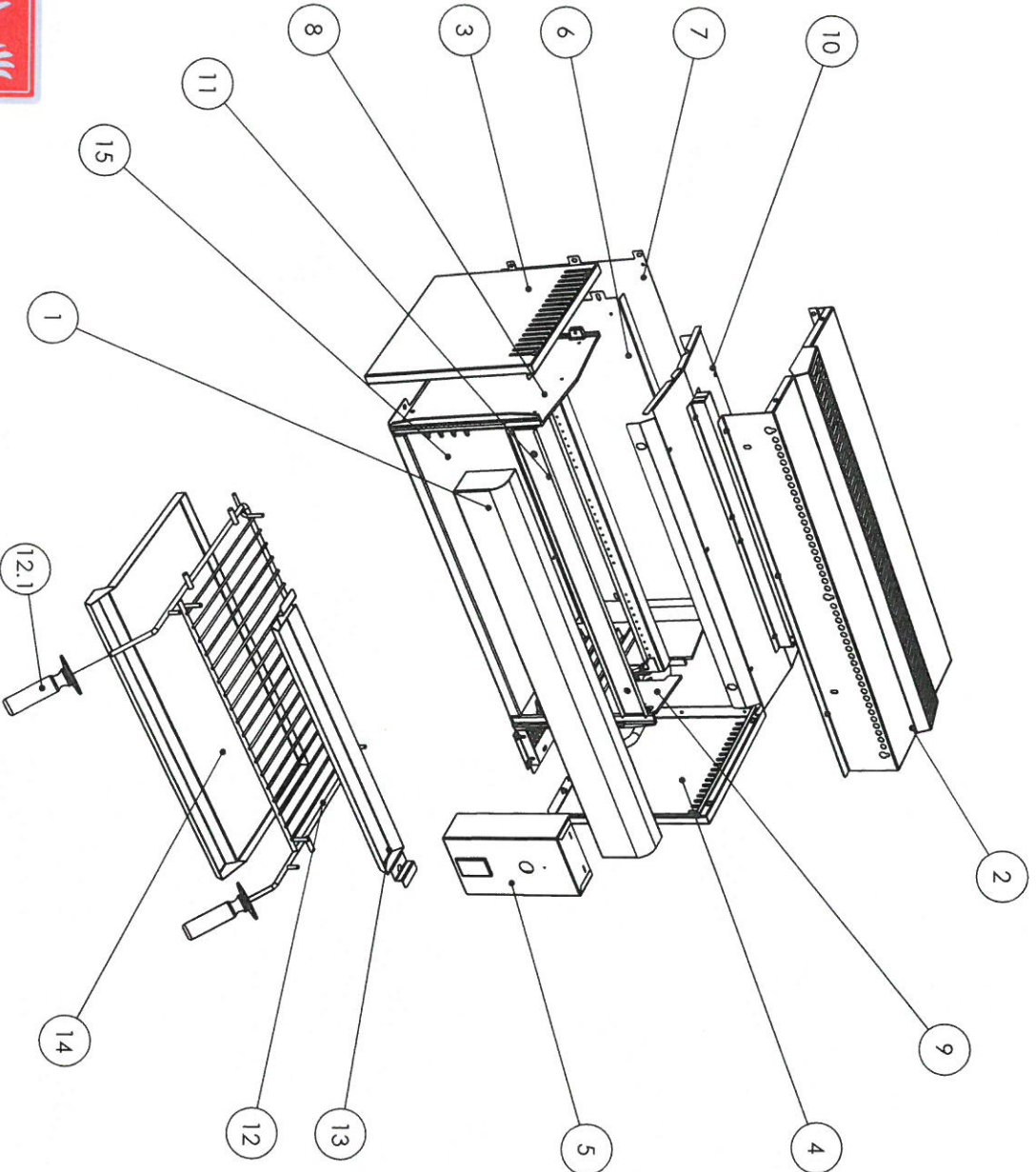


DOMINATOR PLUS



ITEM	DESCRIPTION	SPARES NO
1	TOP FRONT PANEL	535990006
2	OUTER TOP PANEL	535990007
3	LH OUTER SIDE PANEL	531562185
4	RH OUTER SIDE PANEL	531562195
5	CONTROL PANEL	535990008
6	INNER BACK PANEL	535990009
7	OUTER BACK PANEL	535990010
8	LH INNER SIDE PANEL	535930100
9	RH INNER SIDE PANEL	535930110
10	INNER TOP PANEL	535990011
11	FRONT TIE PLATE	535990012
12	WIRE GRID C/W HANDLES	535990013
13	HANDLE ASSEMBLY	535990010
12.1	DRIP TROUGH	531560220
14	DRIP TRAY	531562210
15	BASE PANEL	535990014



Issue

A

Alteration

Initial Issue

Date

09/08/11

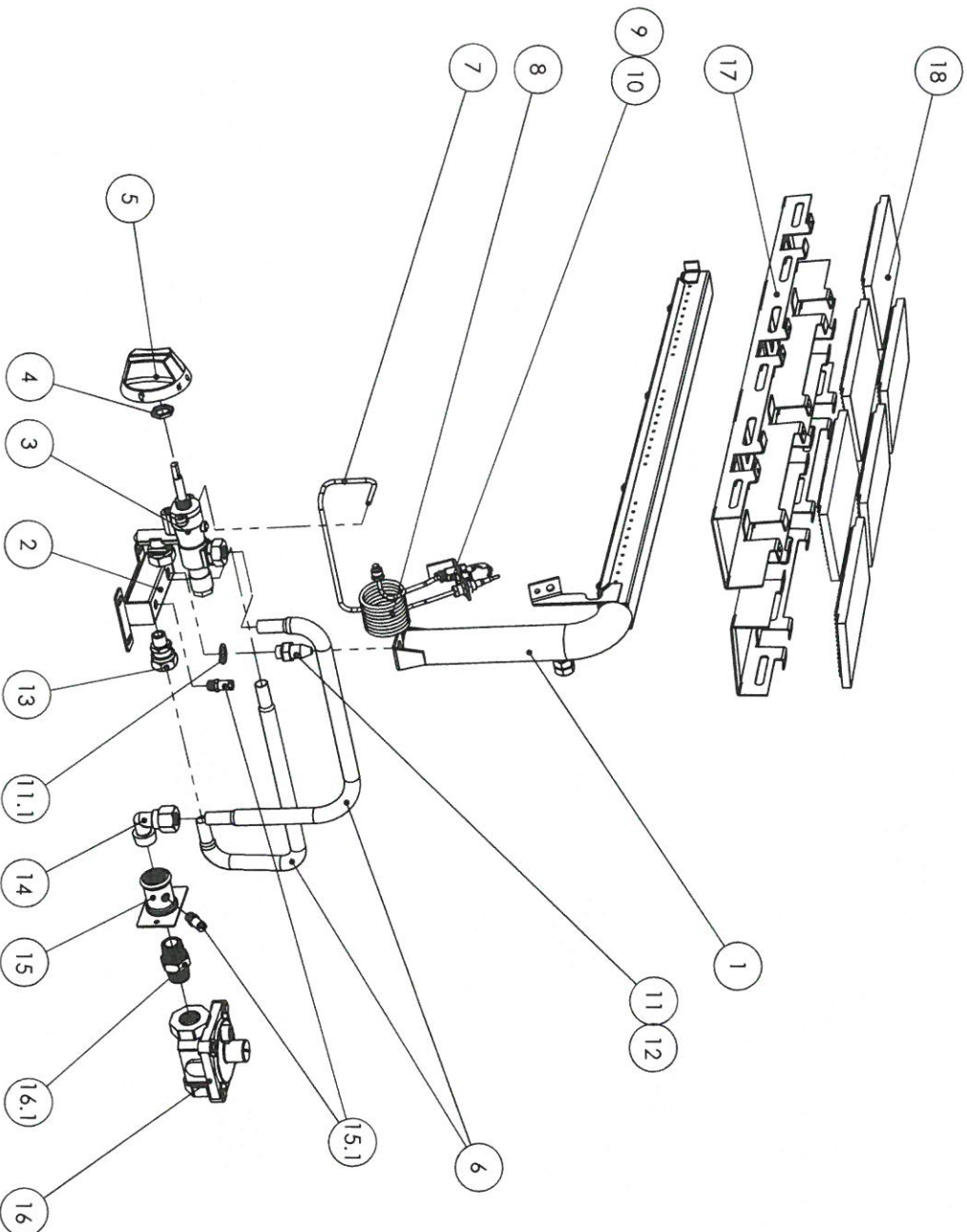
Product

G3532

Document Reference

AD48971

DOMINATOR PLUS



ITEM	DESCRIPTION	SPARES No
1	GRILL BURNER ASSEMBLY	535990000
2	MANIFOLD	531600210
3	GRILL CONTROL VALVE NAT GAS & PROPANE	537560020
4	CONTROL VALVE FIXING NUT	535990001
5	CONTROL KNOB	535310010
6	Ø12 FLEXI PIPE C/W OLIVES	535410003
7	Ø4 FLEXI PIPE C/W OLIVES	535990015
8	THERMOCOUPLE	531600040
9	GRILL PILOT ASSEMBLY NAT GAS No 30	531600070
9.1	PILOT ORIFICE NAT GAS No 30	531600055
10	GRILL PILOT ASSEMBLY PROPANE No 19	531600075
10.1	PILOT ORIFICE PROPANE No 19	531630010
11	GRILL BURNER INJECTOR NAT GAS	535990002
11.1	GRILL INJECTOR SEALING WASHER	531630015
12	GRILL BURNER INJECTOR PROPANE	535990002
13	MANIFOLD PIPE COUPLING	531600120
14	INLET PIPE ELBOW	531600030
15	INLET SOCKET	535990003
15.1	TEST NIPPLE	531600200
16	1/2" GOVERNOR C/W FITTING	531662410
16.1	1/2" FITTING	535500020
17	BURNER PLAQUE HOLDER	539930153
18	BURNER PLAQUE (SET OF 6)	539930155
18.1	BURNER PLAQUE (SINGLE)	531600010
	CONVERSION KIT NAT GAS TO PROPANE	535990004
	CONVERSION KIT PROPANE TO NAT GAS	535990005



Issue

Alteration

Date

Product

Document Reference

A

Initial Issue

09/08/11

G3532

AD48972